

Product Highlights

3 Megapixel Resolution

Sony image sensor provides up to 9 times higher resolution than the best analog CCTV camera

Wide Dynamic Range

Wide Dynamic Range technology neutralizes imperfect lighting, providing clear images with the right amount of contrast even when a subject is backlit

Triple Codec Streaming

Real-time video compression with H.264, MPEG-4, and M-JPEG codecs



DCS-3716

3 Megapixel WDR Day & Night IP Camera

Features

- Sony Exmor 1/2.8" 3 Megapixel CMOS Progressive Image Sensor
- Full HD Resolution (1920x1080) up to 3 Megapixel (2048x1536)
- Multi-Megapixel Auto Iris Varifocal Lens (3.1- 8mm, f1.2)
- Built-in Mechanical IR Cut Filter for Day/ Night Surveillance
- Wide Dynamic Range (WDR)
- Simultaneous Multi-Stream Support
- Privacy Mask Feature
- SD Card Slot
- 2-Way Audio Support
- 2 Alarm Inputs / 1 Alarm Output
- Power over Ethernet (PoE)
- 3GPP Mobile Surveillance
- Built-in Samba Client for NAS
- ONVIF-Compliant
- Analog BNC Output
- RS-485 Interface for Integration with Pan/Tilt Units

High Resolution Surveillance

The D-Link® 3 Megapixel Day & Night Network Camera (DCS-3716) is a high-end megapixel network camera equipped with a Sony Exmor 1/2.8" 3 Megapixel WDR Progressive Scan CMOS sensor, and a 3.1- 8 mm DC auto iris lens. The DCS-3716 captures video in both dark and light environments, or even subjects shot against a backlight by neutralizing imperfect lighting and generating a realistic image. In addition, the removable IR-cut filter for day/night functionality provides clear detail and high quality video at any point during the day or night. The DCS-3716 incorporates Power over Ethernet (PoE) which allows for easy installation in a variety of locations, an SD card slot for local video recording, and ePTZ for virtual Pan/Tilt/ Zoom operation.

Wide Dynamic Range (WDR) Applications

The Wide Dynamic Range (WDR) function provides clear images even under backlight conditions where the intensity of illumination can vary significantly, making the DCS- 3716 perfect for extreme high-contrast environments. For example, when placed indoors, the DCS-3716 adjusts itself to intense sunlight that may be streaming in through windows in the background. This makes it an ideal solution for lobbies, retail stores and warehouse shipping bays.

Flexible Connectivity

The DCS-3716 includes input and output ports allowing connectivity to external devices such as IR sensors, switches, and alarm relays. It also comes with an RS-485 interface, providing connectivity to an optional pan/tilt enclosure which effectively adds pan/tilt functionality to the DCS-3716. An additional 12V interface provides power for an optional LED illuminator.

D-ViewCam™ for Management

The included D-ViewCam™ IP camera surveillance software is a comprehensive surveillance system designed to centrally manage multiple IP cameras. Supporting up to 32 IP cameras, D-ViewCam™ is compatible with all current D-Link IP cameras and offers digital monitoring and recording capabilities of video, audio, and events for various security applications. The D-ViewCam™ software is included free of charge with the DCS-3716.

Open Network Video Interface Forum (ONVIF)

ONVIF is an open industry forum for the development of a global standard for the interface of IP based physical security products. ONVIF identifies a standard for how IP products within video surveillance and other physical security areas can communicate with each other ensuring interoperability between products regardless of brand. The DCS-3716 is ONVIF-Compliant and therefore compatible with many third party Video Management Software (VMS) solutions.

Multiple Video Streams

The DCS-3716 supports simultaneous streaming of H.264, MPEG-4, and MJPEG video to provide both high-quality and bandwidth-efficient compression formats. MJPEG delivers excellent file integrity, ideal for situations which require high image detail. H.264 and MPEG-4 consumes less bandwidth and storage, useful for megapixel video, extended recording or for use in low-bandwidth networks.



Technical Specifications

Camera

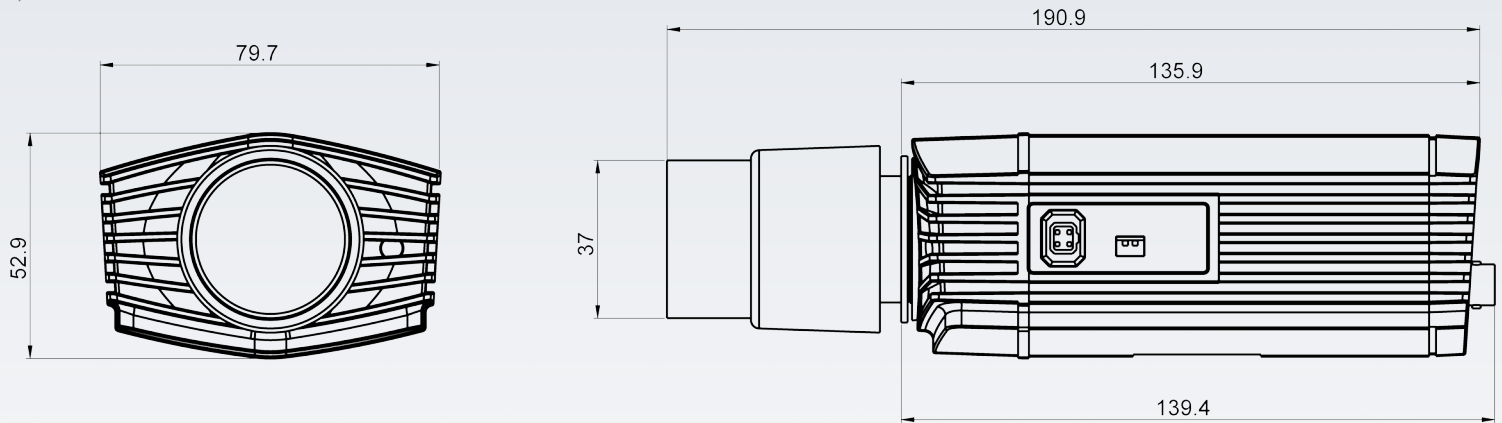
Hardware Profile	<ul style="list-style-type: none"> • Sony Exmor 1/2.8" 3 Megapixel CMOS sensor • Minimum Illumination: 0.5 lux (Color); 0.05 lux (B/W) • WDR S/N Ratio : 100 dB 	<ul style="list-style-type: none"> • Lens Varifocal Range: 3.1 to 8.0 mm • Lens Aperture: F1.2 • Built-in Infrared-Cut Removable (ICR) Filter module
Angle of View	<ul style="list-style-type: none"> • Horizontal: 95.9° to 38.7° / Vertical: 71.0° to 29.1° 	
Image Features	<ul style="list-style-type: none"> • Configurable image size, quality, frame rate, and bit rate • Time stamp and text overlays • Configurable motion detection windows • Time stamp and text overlays 	<ul style="list-style-type: none"> • 3 Configurable privacy masks zone • Configurable WDR, white balance, shutter speed, brightness, saturation, contrast, sharpness
Video Compression	<ul style="list-style-type: none"> • H.264/MPEG4/MJPEG compression (simultaneous operation) 	<ul style="list-style-type: none"> • JPEG for still images
Video Resolution	<ul style="list-style-type: none"> • 16:9 - (1920 x 1080), (1280 x 720), (800 x 450), (640 x 360), (480 x 270), (320 x 176), (176 x 144) • 4:3 - (2048 x 1536), (1600 x 1200), (1024 x 768), (800 x 600), (640 x 480), (480 x 360), (320 x 240), (176 x 144) • 3M (2048x1536) resolution up to 15 fps, and other resolutions support frame rates up to 30 fps 	
Audio Support	<ul style="list-style-type: none"> • G.726 	
External Device Interface	<ul style="list-style-type: none"> • 2 Digital Inputs / 1 Digital Output • 12V DC, 200 mA Output • RS-485 	<ul style="list-style-type: none"> • SD Card • Audio Input / Output • Analog Video Output (BNC)

Network		
Network Protocols	<ul style="list-style-type: none"> • IPv4 • TCP/IP • UDP • ICMP • DHCP Client • NTP Client (D-Link) • DNS Client • DDNS Client (D-Link) • SMTP Client • FTP Client 	<ul style="list-style-type: none"> • HTTP / HTTPS • Samba Client • PPPoE • UPnP Port Forwarding • RTP / RTSP / RTCP • IP filtering • 3GPP • CoS/QoS • IGMP • ONVIF-Compliant
Security	<ul style="list-style-type: none"> • Administrator and user group protection • Password authentication 	<ul style="list-style-type: none"> • HTTP and RTSP digest encryption
System Management		
System Requirements for Web Interface	<ul style="list-style-type: none"> • Operating System: <ul style="list-style-type: none"> - Windows® 7, Windows Vista®, Windows® XP, Windows® 2000 	<ul style="list-style-type: none"> • Browser: <ul style="list-style-type: none"> - Internet Explorer, Mozilla Firefox, Netscape, Opera
D-ViewCam™ System Requirements	<ul style="list-style-type: none"> • Operating System: <ul style="list-style-type: none"> - Windows® 7, Windows Vista®, Windows® XP 	<ul style="list-style-type: none"> • Web Browser: Internet Explorer 6 or higher • Protocol: Standard TCP/IP
Event Management	<ul style="list-style-type: none"> • Motion detection • Event notification and upload snapshots/video clips via HTTP, SMTP or FTP 	<ul style="list-style-type: none"> • Supports multiple HTTP, SMTP and FTP servers • Multiple event notification • Multiple recording methods for easy backup
Remote Management	<ul style="list-style-type: none"> • Configuration accessible via web browser 	<ul style="list-style-type: none"> • Take snapshots/video clips and save to local hard drive or NAS via web browser
D-ViewCam™ Software Functions	<ul style="list-style-type: none"> • Remote management control of up to 32 cameras • Scheduled motion triggered, or manual recording options 	<ul style="list-style-type: none"> • Supports all management functions provided in web interface • Viewing of up to 32 cameras on one screen
General Specifications		
Power Input	<ul style="list-style-type: none"> • 12V DC 1.25 A, 50/60 Hz, 802.3af PoE 	
Max. Power Consumption	<ul style="list-style-type: none"> • 4 watts 	
Operating Temperature	<ul style="list-style-type: none"> • 32 to 104° F (0° to 40° C) 	
Storage Temperature	<ul style="list-style-type: none"> • -4° to 158° F (0° to 40° C) 	
Humidity	<ul style="list-style-type: none"> • 20% to 80% non-condensing 	
Weight	<ul style="list-style-type: none"> • 20.45 ounces (580 grams) 	
Certifications	<ul style="list-style-type: none"> • CE (Class A)C • E LVD (EN60965-1) • FCC (Class A), • ICES-003, • C-Tick 	
Dimensions	<ul style="list-style-type: none"> • Length (with Lens): 7.52" (190.9mm) • Length (w/o Lens): 5.35" (135.9mm) • Width 3.14" (79.7mm) • Height: 2.08" (52.9mm) 	

Warranty	
Warranty	• 5-Year Warranty ¹
Order Information	
Part Number	Description
DCS-3716	3 Megapixel Day & Night Box IP Camera
DCS-55	Outdoor Camera Enclosure, PoE-Powered, IP66 Certified
DNS-726-4	SecureCenter 2-Bay Network Video Recorder (NVR) Pro Edition

¹ 5-Year Warranty available only in the USA.
 All references to speed are for comparison purposes only. Product specifications, size and shape are subject to change without notice, and actual product appearance may differ from that depicted herein.

Updated 4/19/12



For more information

D-Link Systems, Inc. | 17595 Mt. Herrmann Street | Fountain Valley, CA 92708 | 800.326.1688 | dlink.com

©2012 D-Link Corporation/D-Link Systems, Inc. All rights reserved. D-Link, the D-Link logo, and the D-ViewCam are trademarks or registered trademarks of D-Link Corporation or its subsidiaries in the United States and/or other countries. Other trademarks or registered trademarks are the property of their respective owners. Visit www.dlink.com for more details. ¹

