

Product Highlights

Rugged Construction

IP68 weatherproof housing and weathershield makes the DCS-6315 ideal for the most demanding of surveillance applications

HD Resolution with Wide Dynamic Range

A high-resolution megapixel sensor provides HD resolution while Wide Dynamic Range technology ensures that you capture the details you need

Color Night Vision

Keep an eye on your home or office around the clock with vibrant color video, even in low light environments



DCS-6315

HD Outdoor Dome Network Camera with Color Night Vision

Features

Exceptional Video Quality

- 1/3" Megapixel progressive CMOS sensor with color night vision capability
- HD resolution of 1280 x 720
- Wide Dynamic Range image enhancement
- H.264, MPEG-4, MJPEG codec support for streaming and recording
- Motion detection
- Privacy mask

Outdoor Placement

- Built-in IR LED illuminator with a 45 feet range for use in dark areas
- Range of mounting options for flexible placement
- Rugged IP68 weatherproof housing
- Weathershield for additional protection

Flexibility

- microSD/SDHC/SDXC card slot for onboard storage of video and images
- 10/100 Fast Ethernet port with PoE
- DI/DO socket for connection to external devices
- Audio in and out jacks can be connected to a microphone and speaker for 2-way communication
- ONVIF compliant

The D-Link DCS-6315 HD Outdoor Dome Network Camera with Color Night Vision is a high definition professional surveillance solution suitable for small, medium, and large enterprises. The camera uses a high-sensitivity 1 Megapixel CMOS sensor with onboard WDR image enhancement to deliver quality video in all conditions. The all-in-one rugged design makes this camera extremely reliable and ideal for deployment in surveillance applications without the need for additional accessories.

High-Quality Color Night Vision

Incorporating a highly sensitive CMOS sensor, the DCS-6315 provides outstanding performance in low light-conditions, resulting in more vibrant color detail. The noise reduction feature has been enhanced to provide a level of detail in the image quality that is unmatched by other offerings in the market.

To maximize bandwidth efficiency and improve image quality, the DCS-6315 provides real-time video compression using the H.264, MPEG-4, and MJPEG codecs, and supports three separate profiles for simultaneous video streaming and recording. This versatility enables a wide variety of security applications, such as monitoring public areas to detect incidents and to coordinate responses, enforcing access control to restricted areas, deterring criminal activity, or monitoring inventory.

Continuous Monitoring

The DCS-6315's WDR image enhancement gives you improved image quality in environments with uneven or difficult lighting, so you can identify subjects that are backlit or in brightly lit areas. In low-light situations, the IR cut filter automatically slides out of the way to use all available light. The DCS-6315 also has built-in IR LED illuminators with a 45 feet range, allowing the camera to keep watch even in complete darkness. These features work together to give you a reliable surveillance camera capable of monitoring an area 24 hours a day.

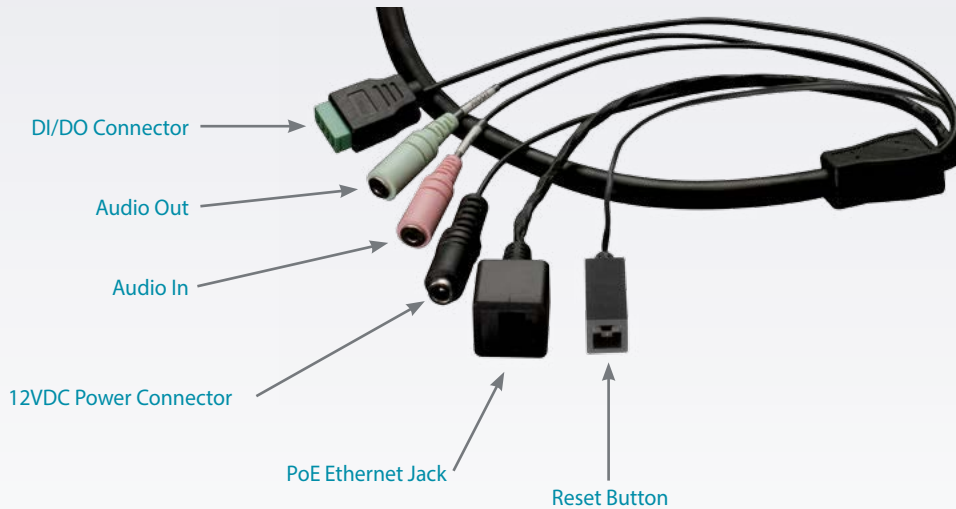
HD Outdoor Dome Network Camera with Color Night Vision

Robust Management Software

The DCS-6315 HD Outdoor Dome Network Camera with Color Night Vision includes D-ViewCam, a complete surveillance software package that enables you to view, manage, and record from up to 32 cameras on a single computer in a central location. Recordings and e-mail alerts can be triggered through motion detection or events triggered by digital input devices, keeping administrators informed of any unusual activity.

Flexible Connectivity

The DCS-6315 has a built-in 802.3af compliant PoE module that simplifies installation by providing power and networking connectivity with a single cable, reducing the need to drill holes or lay additional cabling. In addition, the included digital input and output connector enables connections to external devices such as IR sensors, switches and alarm relays.



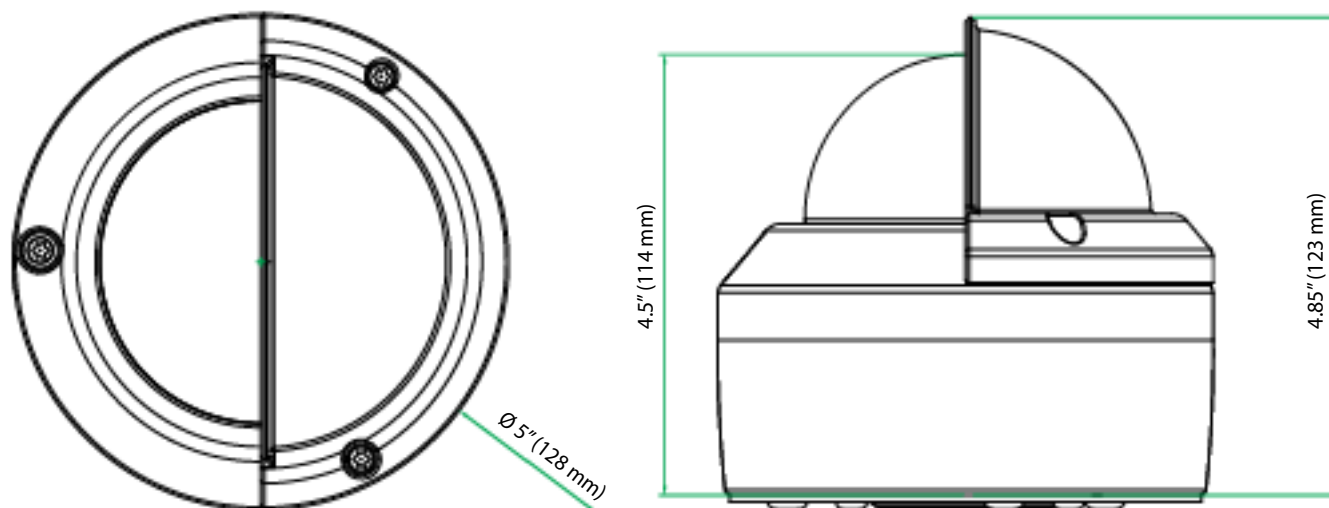
Technical Specifications		
Camera		
Camera Hardware Profile	<ul style="list-style-type: none"> • 1/3" 1 Megapixel progressive CMOS sensor • 45 feet IR illumination distance • Built-in mechanical IR filter module • Minimum illumination: <ul style="list-style-type: none"> • 0.1 Lux Color mode • 0.02 Lux Black and White mode • 0 Lux Black and White mode with IR LED on 	<ul style="list-style-type: none"> • Minimum object distance 8" • 2.8 to 12mm variable focal lens • Aperture F1.4 • Field of view (16:9) <ul style="list-style-type: none"> • (Horizontal) 90° to 28° • (Vertical) 58.8° to 16° • (Diagonal) 103° to 33°
Camera Housing	<ul style="list-style-type: none"> • IP68 compliant weatherproof housing • IK10 compliant vandal-proof housing 	<ul style="list-style-type: none"> • Includes weathershield
Image Features	<ul style="list-style-type: none"> • Configurable image size, quality, frame rate, and bit rate • Time stamp and text overlays • Configurable motion detection windows 	<ul style="list-style-type: none"> • Configurable privacy mask zones • Configurable exposure time, brightness, saturation, contrast, sharpness.
Video Compression	<ul style="list-style-type: none"> • Simultaneous H.264 / MPEG-4 / MJPEG compression • H.264 / MPEG-4 multicast streaming 	<ul style="list-style-type: none"> • JPEG for still images
Video Resolution	<ul style="list-style-type: none"> • 16:9 - 1280 x 720, 800 x 450, 640 x 360, 480 x 270, 320 x 176 at up to 30 fps 	<ul style="list-style-type: none"> • 4:3 - 1024 x 768, 800 x 600, 640 x 480, 480 x 360, 320 x 240 at up to 30 fps
Audio Support	<ul style="list-style-type: none"> • G.726 	<ul style="list-style-type: none"> • G.711
External Device Interfaces	<ul style="list-style-type: none"> • 10/100 BASE-TX Ethernet port with PoE • 1 DI / 1 DO • DC12V, 400 mA Output 	<ul style="list-style-type: none"> • microSD/SDHC/SDXC card slot, accepts cards up to 64 GB • Audio input / output

HD Outdoor Dome Network Camera with Color Night Vision

Network		
Network Protocols	<ul style="list-style-type: none"> • IPv6 • IPv4 • TCP/IP • UDP • ICMP • DHCP client • NTP client (D-Link) • DNS client • DDNS client (D-Link) • SMTP client • FTP client 	<ul style="list-style-type: none"> • HTTP / HTTPS • Samba client • PPPoE • UPnP port forwarding • RTP / RTSP / RTCP • IP filtering • QoS • CoS • Multicast • ONVIF compliant • SNMP
Security	<ul style="list-style-type: none"> • Administrator and user group protection • Password authentication 	<ul style="list-style-type: none"> • HTTP and RTSP authentication
System Management		
System Requirements for Web Interface	<ul style="list-style-type: none"> • Browser: Internet Explorer, Firefox, Chrome, Safari 	
Event Management	<ul style="list-style-type: none"> • Motion detection • Event notification and uploading of snapshots/video clips via e-mail or FTP 	<ul style="list-style-type: none"> • Supports multiple SMTP and FTP servers • Multiple event notifications • Multiple recording methods for easy backup
Remote Management	<ul style="list-style-type: none"> • Take snapshots / video clips and save to local hard drive 	<ul style="list-style-type: none"> • Configuration interface accessible via web browser
OS Support	<ul style="list-style-type: none"> • Windows Vista, Windows 7/8, iPhone, iPad, Android 	
D-ViewCam™ System Requirements	<ul style="list-style-type: none"> • Operating System: Microsoft Windows 7/8, Vista, XP • Web Browser: Internet Explorer 7 or higher 	<ul style="list-style-type: none"> • Protocol: Standard TCP/IP
D-ViewCam™ Software Functions	<ul style="list-style-type: none"> • Remote management/control of up to 32 cameras • Supports all management functions provided in web interface 	<ul style="list-style-type: none"> • Viewing of up to 32 cameras on one screen • Scheduled motion triggered, or manual recording options
General		
Weight	<ul style="list-style-type: none"> • 2.45 lbs (1112 grams) 	
Power	<ul style="list-style-type: none"> • Input: 100 to 240 V AC, 50/60 Hz 	<ul style="list-style-type: none"> • Output: 12 V DC 1.5 A
Power Consumption	<ul style="list-style-type: none"> • 12.25 W +/- 5% 	
Temperature	<ul style="list-style-type: none"> • Operating: -22° to 124° F (-30° to 50° C) 	<ul style="list-style-type: none"> • Storage: -4° to 158° F (-20° to 70° C)
Humidity	<ul style="list-style-type: none"> • Operating: 20% to 80% non-condensing 	<ul style="list-style-type: none"> • Storage: 5% to 95% non-condensing
Certifications	<ul style="list-style-type: none"> • CE • CE LVD 	<ul style="list-style-type: none"> • FCC • C-Tick

HD Outdoor Dome Network Camera with Color Night Vision

Dimensions



Warranty Information

Warranty

• 5 Year Warranty¹

Order Information

Part Number

Description

DCS-6315

HD Outdoor Dome Network Camera with Color Night Vision

Optional Accessories

Part Number

Description

DCS-34-2



Pendant Mount
7.9" x 5.9" (201 x 150 mm), 1.45 lbs (665 grams)

DCS-34-3



Wall Mount
10" x 5.9" (253 x 150 mm), 1.7 lbs (770 grams)

¹5-Year Warranty available only in the USA
Updated 2014/7/2 (Hardware Revision A1)

For more information

U.S.A. | 17595 Mt. Herrmann Street | Fountain Valley, CA 92708 | 800.326.1688 | dlink.com

D-Link, the D-Link logo and the D-ViewCam™ logo are registered trademarks of D-Link Corporation or its subsidiaries.
All other third-party marks mentioned herein may be trademarks of their respective owners.
© 2014 D-Link. All rights reserved.